

Technical sheet :

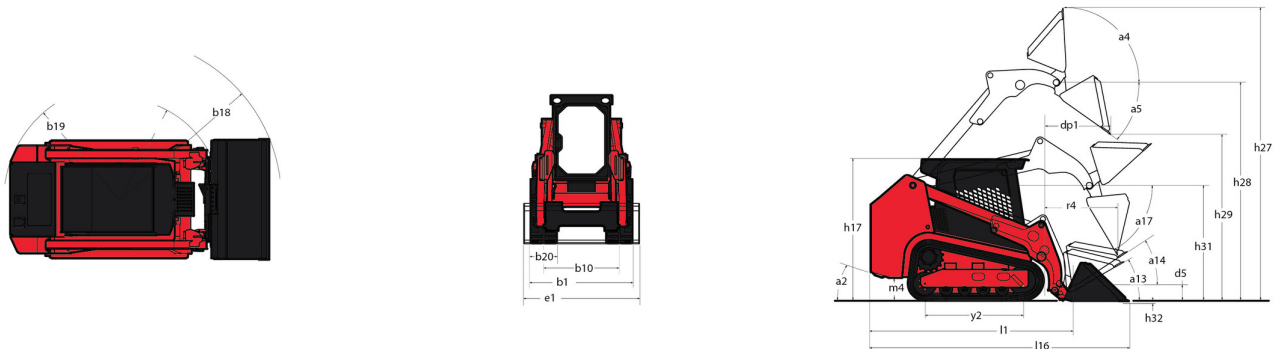
1350 RT



 **MANITOU**
HANDLING YOUR WORLD

Capacities		Metric	Imperial
Operating Weight		2953 kg	6510 lb
Unladen weight		2953 kg	6510 lb
Operating Capacity at 35% Tipping Load		612 kg	1349 lb
Operating Capacity At 50% Tipping Load		875 kg	1929 lb
Tipping capacity		1750 kg	3858 lb
Weight and dimensions			
Overall Operating Height - Fully Raised	h27	3670 mm	144 in
Height to Hinge Pin - Fully Raised	h28	2794 mm	110 in
Dump reach - Full height	r6	592 mm	23 in
Dump angle at full height	a5	40 °	40 °
Dump Height - Fully Raised	h29	2123 mm	84 in
Maximum Rollback Angle - Fully Raised	a4	98 °	98 °
Overall Height to Top of ROPS	h17	1930 mm	76 in
Overall length with bucket	l16	3076 mm	121 in
Overall Length without Bucket	l1	2360 mm	93 in
Specified Height	h31	1494 mm	59 in
Reach at Specified Height	r4	771 mm	30 in
Dump angle at specified height	a17	75 °	75 °
Maximum Rollback Angle at Ground	a13	28 °	28 °
Carry Position	d5	165 mm	6 in
Maximum Rollback Angle at Carry Position	a14	28 °	28 °
Digging Position	h32	18 mm	0.71 in
Angle of Departure with STD Counterweight		28 °	28 °
Ground clearance	m4	213 mm	8 in
Track gauge	b10	1148 mm	45 in
Track Shoe Width	b20	300 mm	12 in
Crawler base	y2	1168 mm	46 in
Overall width less bucket	b1	1448 mm	57 in
Bucket Width	e1	1524 mm	60 in
Clearance Radius - Front with Bucket	b18	1918 mm	76 in
Clearance Circle - Rear	wa1	1440 mm	57 in
Track Type / Track Rollers / Roller Type		Rubber / 4 / Steel	Rubber / 4 / Steel
Performances			
Ground Speed - Single Speed		10 km/h	6 mi/h
Drawbar Pull/Ttractive Effort		3248 kg	7161 lb
Bucket Breakout - Tilt Cylinder		1588 kg	3501 lb
Bucket Breakout - Lift Cylinder		1692 kg	3730 lb
Engine			
Engine brand		Yanmar	Yanmar
Engine model		4TNV88C-KMS	4TNV88C-KMS
Motor Type		Radial Piston	Radial Piston
Gross Power (kW) / Power		34.30 kW @ 2500 rpm	34 kW @ 2500 rpm
Battery		12 V	12 V
Cold Cranking Amps at Temperature (CCA)		800 A	800 A
Alternator - Voltage / Ampere		12 V / 100 A	12 V / 100 A
Hydraulics			
Standard flow - Auxiliary hydraulics		63.60 l/min	17 US gpm
Tank capacities			
Oil Pan Capacity		6.40 l	2 US gal
Hydraulic tank capacity		34.80 l	9 US gal
Fuel tank		59.40 l	16 US gal
Displacement / Number of cylinders		7.90 l / 4	2 US gal / 4

1350 RT - Dimensional drawing



Equipment

Lifting function	
All-Tach® Attachment Mounting System	Standard
Auxiliary Hydraulics	Standard
IdealTrax™ Automatic Track Tensioning System	Standard
Lighting	
Beacon	Optional
Road Lights	Optional
Motorization/Power	
Combination Radiator & Hydraulic Oil Cooler	Standard
Dual-Element Air Cleaner with Indicator	Standard
Engine Auto-Shutdown System	Optional
Engine Block Heater	Optional
Glowplugs Starts Assist	Standard
Operator station	
Bluetooth car radio	Optional
Foot Throttle	Standard
Full-Suspension Seat	Optional
Joystick controls	Standard
Multi-Function Display Screen	Standard
ROPS/FOPS Level II Overhead Guard	Standard
Sliding Side Windows	Optional
Swing-out Cab Door	Optional
Other options	
Selectable Self-Leveling Hydraulic Lift Action 4	Optional
Pneumatics	
Rubber Track Undercarriage System	Standard
Secondary functions	
Counterweight	Optional
Dedicated Undercarriage	Standard
Security	
4 point lift	Optional
Anti-Vandalism Protection	Standard
Back-Up Alarm	Standard
Engine Alert System with Error Display	Standard
Mechanical Lift Cylinder Lock	Standard



Head Office

B.P. 249 - 430 rue de l'Aubinière

44150 Ancenis Cedex - France

Tel: +33 (0)2 40 09 10 11 - Fax: +33 (0)2 40 09 10 97

www.manitou.com



This publication provides a description of the configuration versions and options for Manitou products, which may differ for equipment. The equipment presented in this brochure may be part of a series, as an option, or it may not be available, depending on the versions. Manitou reserves the right, at any time and without notice, to amend the specifications described and represented. The specifications provided do not bind the manufacturer. For more details, please contact your Manitou agent. This is not a contractually binding document. The presentation of the products is not contractually binding. List of specifications non-exhaustive. The logos as well as the visual identity of the company are owned by Manitou and cannot be used without authorisation. All rights reserved. The photos and diagrams contained in this brochure are only provided for consultation and information purposes.

MANITOU BF SA - Limited company with board of directors - Share capital: 39,668,399 euros - 857 802 508 RCS Nantes