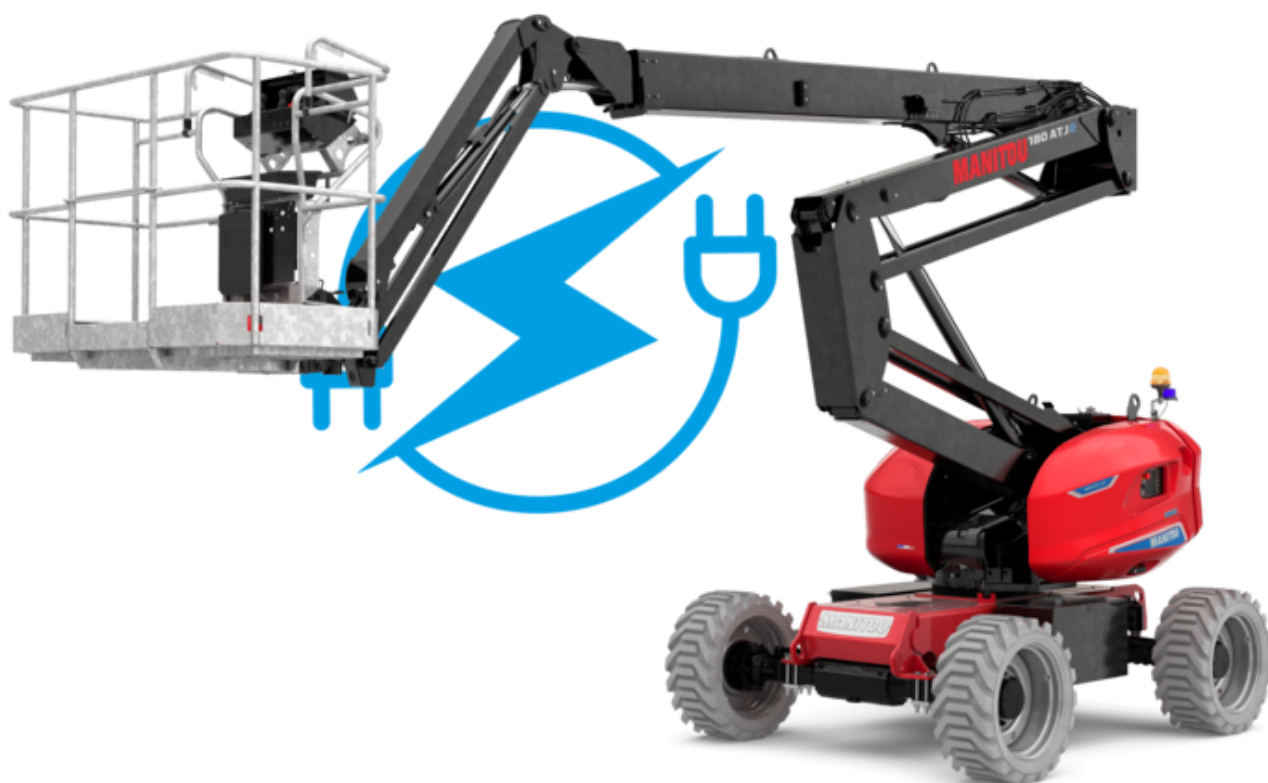


Technical sheet :

# 180 ATJ E



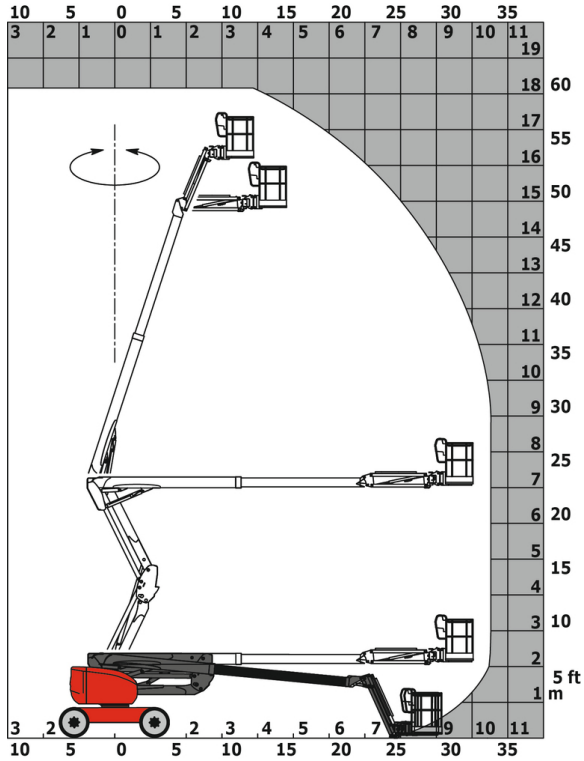
| Capacities                              |         | Metric   | Imperial   |
|---|---------|--|--|
| Working height                          | h21     | 18.19 m  | 59 ft 8 in   |
| Platform height                         | h7      | 16.19 m  | 53 ft 1 in   |
| Max. outreach                           |         | 10.33 m  | 33 ft 11 in  |
| Overhang                                |         | 7.43 m   | 24 ft 5 in   |
| Pendular arm rotation (top / bottom)    |         | +65 ° / -59.50 °   | +65 ° / -59.50 °   |
| Platform capacity                       | Q       | 250 kg   | 551 lb   |
| Turret rotation                         |         | 350 °  | 350 °  |
| Platform rotation (right / left)        |         | 90 ° / 90 °  | 90 ° / 90 °  |
| Number of people (inside / outside)     |         | 2 / 2  | 2 / 2  |
| Weight and dimensions                   |         |  |  |
| Platform weight*                        |         | 7550 kg  | 16645 lb   |
| Platform dimensions (length x width)    | lp / ep | 1.80 m x 0.80 m  | 5 ft 11 in x 2 ft 7 in   |
| Overall width                           | b1      | 2.32 m   | 7 ft 7 in  |
| Overall length                          | l1      | 7.61 m   | 25 ft  |
| Overall height                          | h17     | 2.48 m   | 8 ft 2 in  |
| Overall length (stowed)                 | l9      | 5.43 m   | 17 ft 10 in  |
| Overall height (stowed)                 | h18     | 2.52 m   | 8 ft 3 in  |
| Floor height (access)                   | h20     | 0.45 m   | 1 ft 6 in  |
| Counterweight offset (turret at 90°)    | a7      | 0.40 m   | 1 ft 4 in  |
| Internal turning radius (over tyres)    | b13     | 1.42 m   | 4 ft 8 in  |
| External turning radius                 | Wa3     | 3.75 m   | 12 ft 4 in   |
| Ground clearance at centre of wheelbase | m2      | 0.40 m   | 1 ft 4 in  |
| Wheelbase                               | y       | 2.30 m   | 7 ft 7 in  |
| Performances                            |         |  |  |
| Drive speed - stowed                    |         | 5 km/h   | 3 mi/h   |
| Drive speed - raised                    |         | 1 km/h   | 0.62 mi/h  |
| Gradeability                            |         | 45 %   | 45 %   |
| Permissible leveling                    |         | 5 °  | 5 °  |
| Wheels                                  |         |  |  |
| Tyres type                              |         | Foam-filled  | Foam-filled  |
| Drive wheels (front / rear)             |         | 2 / 2  | 2 / 2  |
| Steering wheels (front / rear)          |         | 2 / 2  | 2 / 2  |
| Braking wheels (front / rear)           |         | 0 / 2  | 0 / 2  |
| Engine/Battery                          |         |  |  |
| Battery / Batteries capacity            |         | 48 V / 480 Ah  | 48 V / 480 Ah  |
| Integrated charger (V / A)              |         | 48 V / 60 A  | 48 V / 60 A  |
| Miscellaneous                           |         |  |  |
| Ground Pressure                         |         | 10 dan/cm2   | 145 PSI  |
| Hydraulic Pressure                      |         | 240 bar  | 3481 PSI   |
| Hydraulic tank capacity                 |         | 24 l   | 6 US gal   |
| Vibration on hands/arms                 |         | < 0 m/s <sup>2</sup>   | < 0 m/s <sup>2</sup>   |
| Standards compliance                    |         |  |  |
| This machine is in compliance with:     |         | European directives: 2006/42/EC- Machinery (revised EN280:2013) - 2004/108/EC (EMC) - 2006/95/EC (Low voltage) | European directives: 2006/42/EC- Machinery (revised EN280:2013) - 2004/108/EC (EMC) - 2006/95/EC (Low voltage) |

\*Varies according to options and standards of the country to which the machine is delivered

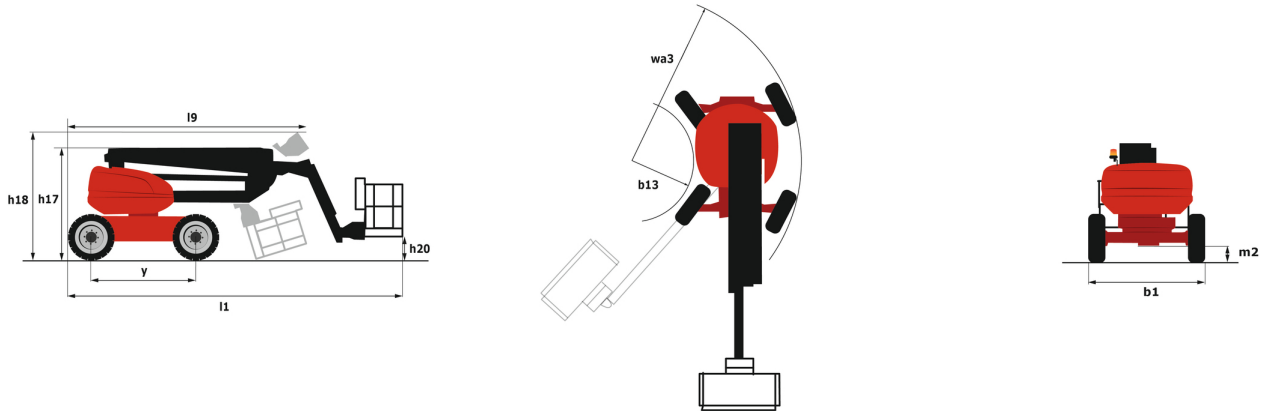
\*\* According to "REDUCE cycle"

# 180 ATJ e - Load chart

Load Chart for AWP Metric



# 180 ATJ e - Dimensional drawing



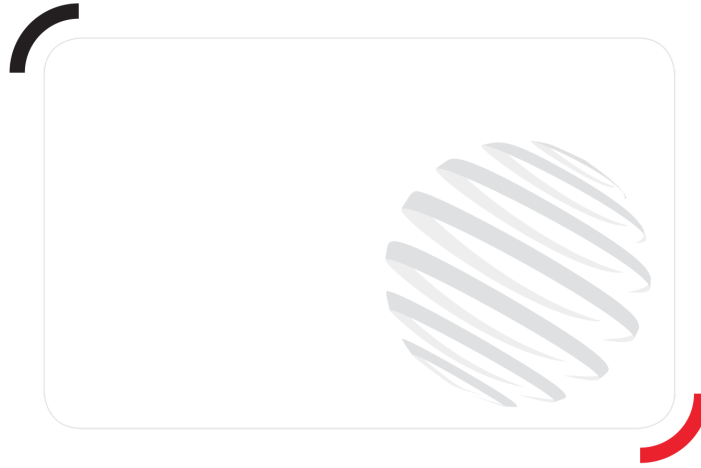
# Equipment

## Standard

220V predisposition in the platform  
 4 simultaneous movements  
 4 wheel drive  
 4 wheel steer with crab mode  
 Audible alarm and illuminated indicator lamp (leveling, overload, lowering)  
 Backup electrical pump  
 Basket 1,800 mm  
 CAN bus technology  
 Differential locking on rear axle  
 Easy Link with 2 year Service  
 Easy Manager  
 Emergency stop button in platform and on frame  
 Fully galvanized basket with demountable floor  
 Horn in the platform  
 Hour meter  
 LED rotating beacon  
 Large color screen on turret  
 Leveling unlocking  
 Load sensing pump  
 Operator presence pedal  
 Oscillating front axle  
 Rear axle with limited slip differential  
 SPS : Secondary protection system  
 Screen information in the basket  
 Simplified slinging without a spreader bar  
 Slinging and securing rings  
 Steer and rotate  
 Turret orientation information

## Optional

Beep on every movement  
 Beep upon travel  
 Biodegradable hydraulic oil  
 Biodegradable oil  
 Bottom screen protection  
 Continuous turret rotation  
 Digicode anti-theft device  
 Easy link with access control keypad  
 Easy link with remote lock  
 Electric centralized filling  
 Fully galvanized basket 1800mm with lateral door  
 Galvanized basket 2,100 mm  
 Galvanized basket 2.100 mm with lateral door  
 Key lock on turret cover  
 Locking the telescope by parameter setting  
 Lynx cry beeper on movement  
 Personalized paintwork  
 Safety kit (Harness + helmet)  
 Socket 230 V + differential circuit breaker  
 Water heater  
 Water predisposition



**Head Office**

B.P. 249 - 430 rue de l'Aubinière

44150 Ancenis Cedex - France

Tel: +33 (0)2 40 09 10 11 - Fax: +33 (0)2 40 09 10 97

[www.manitou.com](http://www.manitou.com)



This publication provides a description of the configuration versions and options for Manitou products, which may differ for equipment. The equipment presented in this brochure may be part of a series, as an option, or it may not be available, depending on the versions. Manitou reserves the right, at any time and without notice, to amend the specifications described and represented. The specifications provided do not bind the manufacturer. For more details, please contact your Manitou agent. This is not a contractually binding document. The presentation of the products is not contractually binding. List of specifications non-exhaustive. The logos as well as the visual identity of the company are owned by Manitou and cannot be used without authorisation. All rights reserved. The photos and diagrams contained in this brochure are only provided for consultation and information purposes.

MANITOU BF SA - Limited company with board of directors - Share capital: 39,668,399 euros - 857 802 508 RCS Nantes