

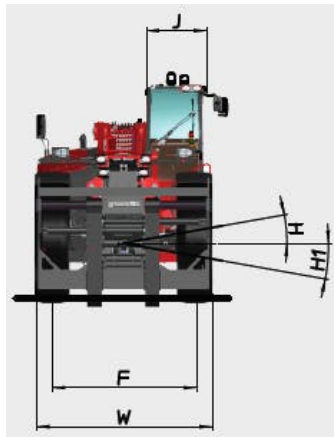
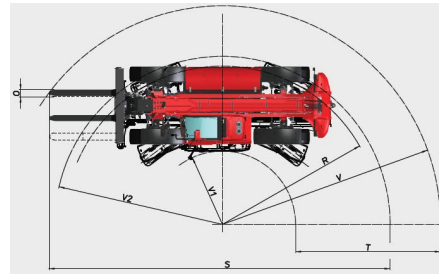
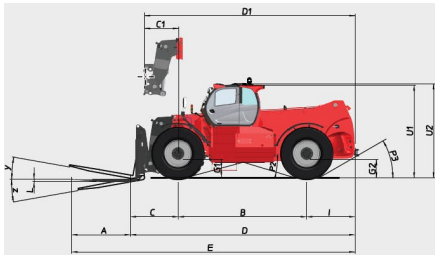
Technical sheet

# **MHT 12330**

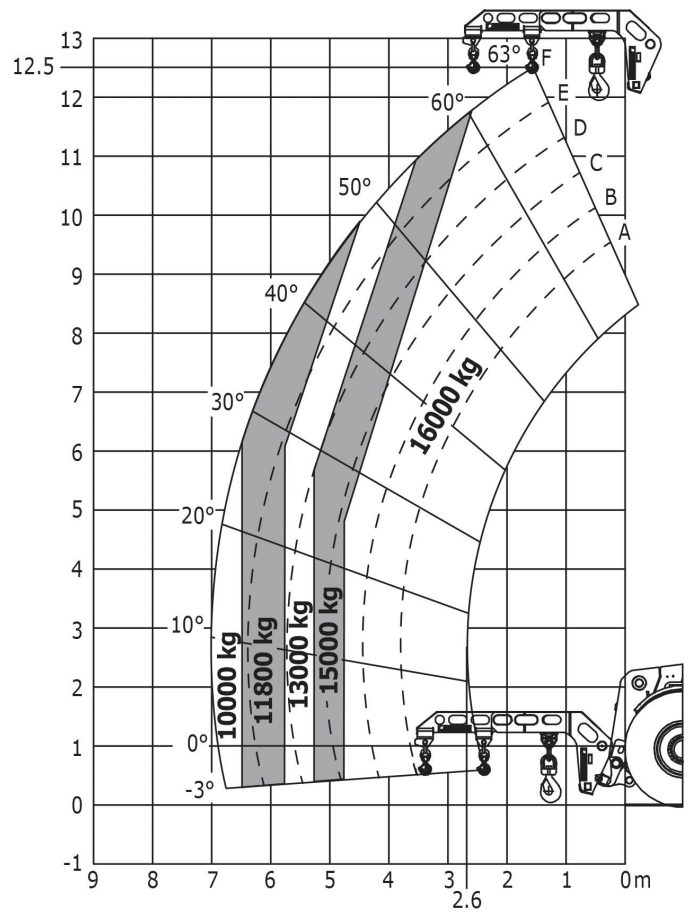
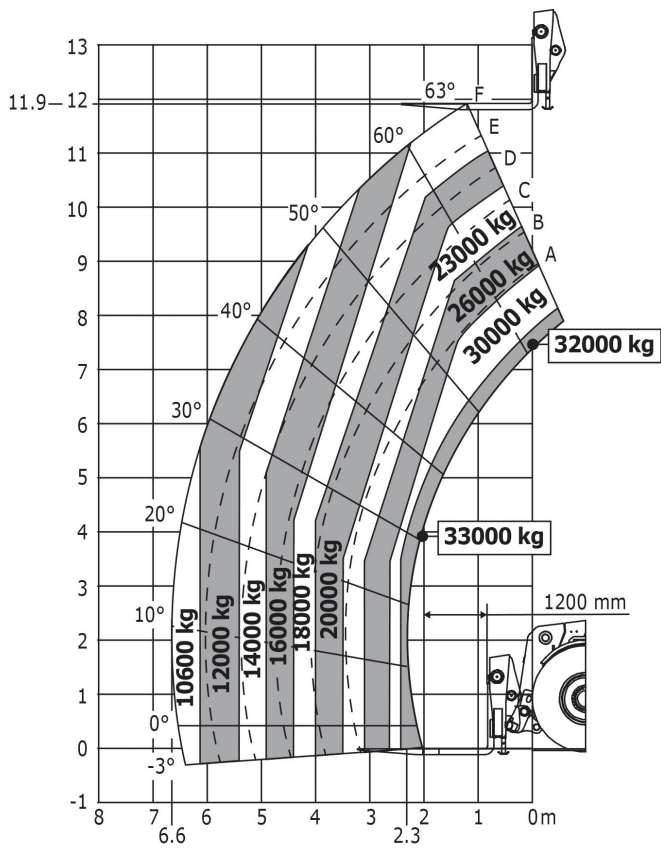
Telehandlers

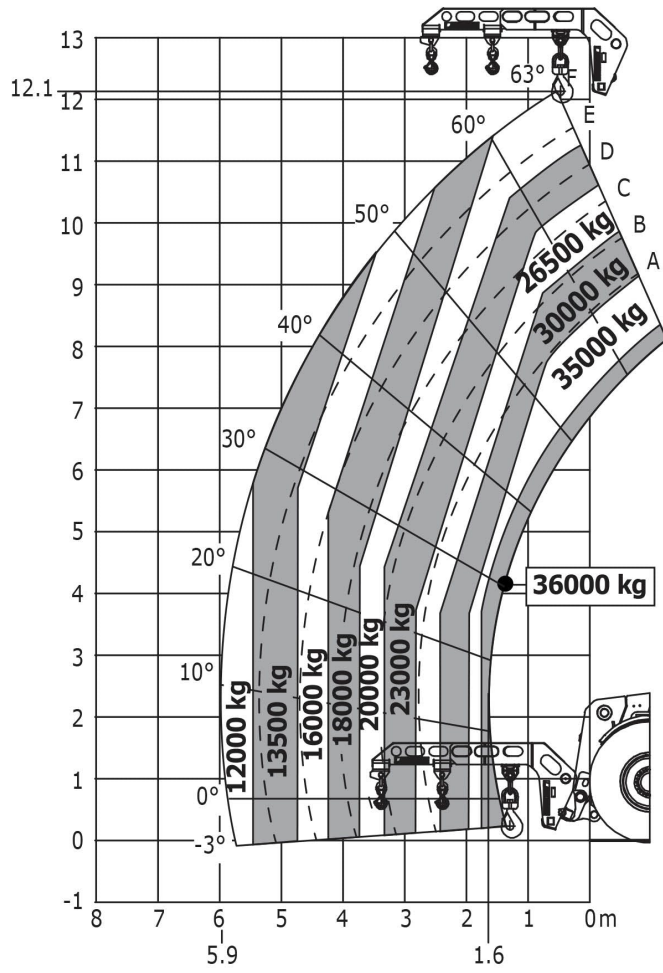


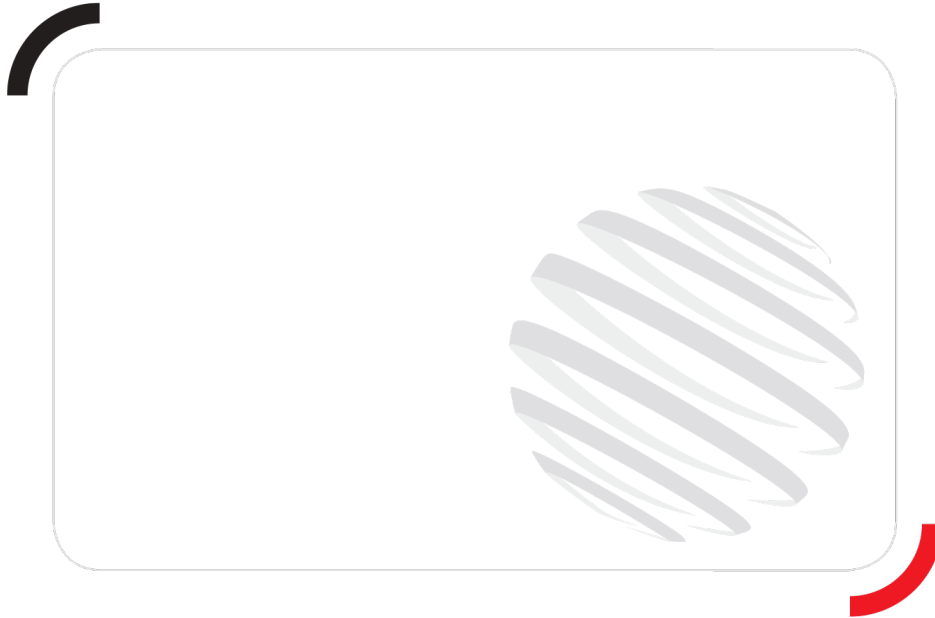
| Capacities   | Metric  |
|--|---|
| Max. capacity  | 33000 kg  |
| Max. lift height   | 11.92 m   |
| Max. reach   | 6.60 m  |
| Weight and dimensions  |   |
| l2 - Overall length of fork carriage                                   | 10.77 m   |
| b1 - Overall width   | 2.98 m  |
| h17 - Overall height   | 3.60 m  |
| y - Wheelbase  | 4.90 m  |
| m4 - Ground clearance  | 0.59 m  |
| b4 - Overall cab width   | 0.97 m  |
| Wa1 - Frame outer turning radius                                       | 7.42 m  |
| Unladen weight (with forks)  | 49000 kg  |
| Standard forks   | 2400 x 250 x 110  |
| Performances   |   |
| Lifting  | 40 s  |
| Lowering   | 39 s  |
| Telescope extension  | 17 s  |
| Retracting the telescope   | 25 s  |
| Scoop  | 10.40 s   |
| Dump   | 9.50 s  |
| Engine   |   |
| Brand  | Deutz   |
| Environmental standards  | Stage 5 / Tier IV Final   |
| Model  | TCD 6.1 L6  |
| Number of cylinders - Capacity   | 6 -   |
| Power  | 245 hp / 180 kW   |
| Max. torque  | 1000 Nm at 1450 rpm   |
| Laden drawbar pull   | 28400 daN   |
| Transmission   |   |
| Type   | Hydrostatic   |
| Number of gears (forward/reverse)                                      | 3/3   |
| Max. speed of travel (may vary according to the applicable regulation) | 25 km/h   |
| Parking brake  | Automatic negative parking brake                                |
| Service brake  | Hydraulic oil immersed multi-disc braking on front & rear axles |
| Hydraulics   |   |
| Type of pump   | Load sensing pump   |
| Hydraulic flow rate - Pressure   | 310 l/min - 350 bar   |
| Tank capacities  |   |
| Engine oil   | 21 l  |
| Hydraulic oil  | 570 l   |
| Fuel   | 600 l   |
| AdBlue® Diesel Exhaust Fluid (DEF)                                     | -   |
| Noise & vibration  |   |
| Noise at driving position (LpA)  | 80 dB(A)  |
| Noise to environment (LwA)   | 107 dB(A)   |
| Vibration on hands/arms  | <2.5 m/s <sup>2</sup>   |
| Miscellaneous  |   |
| Steering wheels / Driving wheels                                       | 4 / 4   |
| Safety   | Standard EN 15000<br>Cab ROPS - FOPS Level 2                    |
| Controls   | JSM   |



# Load chart







Siège Social  
430 rue de l'Aubinière - 44150 Ancenis Cedex - France  
Tel: +33(0)2 40 09 10 11 - Fax: +33 (0)2 40 09 10 97  
[www.manitou.com](http://www.manitou.com)



This brochure describes versions and configuration options for Manitou products which may be fitted with different equipment. The equipment described in this brochure may be standard, optional or not available depending on version. Manitou reserves the right to change the specifications shown and described at any time and without prior warning. The manufacturer is not liable for the specifications given. For more information, contact your Manitou dealer. Non-contractual document. Product descriptions may differ from actual products. List of specifications is not comprehensive. The logos and visual identity of the company are the property of Manitou and may not be used without authorisation. All rights reserved. The photos and diagrams contained in this brochure are provided for information only.

MANITOU BF SA - Limited company with board of directors - Share capital: 39,547,824 euros - 857 802 508 RCS Nantes