

CONSTRUCTION RANGE **MHT**
Telehandlers



Handling your world

Founded over 60 years ago by the Braud family, the Manitou Group now operates worldwide. A world-leader in all-terrain material handling, the Group designs, manufactures, distributes and services equipment for construction, agriculture and industries.

The Group's product ranges include: all-terrain fixed, rotating and heavy-load telehandlers; all-terrain, semi-industrial and industrial masted forklift trucks; wheel or track skid-steer loaders; access platforms; truck-mounted forklifts; warehousing equipment; and attachments.

Through its iconic brands – Manitou, Gehl and Mustang – and its worldwide network of 1,500 dealers, the Group offers the best solutions to create optimum value for its customers.

Headquartered in France, the Group registered a revenue in 2018 of 1.900 billion euros in 140 countries and employs 4,400 people, all strongly focused on satisfying customers.



1958

Marcel Braud conceives the idea of the Manitou truck.

1972

The Group enters foreign markets.

Sales partnership agreement signed with Toyota for exclusive distribution of Toyota industrial forklift trucks in France.

1981

Launch of first Manitou telehandler.

1984

Manitou enters the stock exchange.

1993

The first MRT rotating telehandlers are sold.

1995

Launch of the first range of access platforms.

1996

ISO 9001 certification obtained.

1998

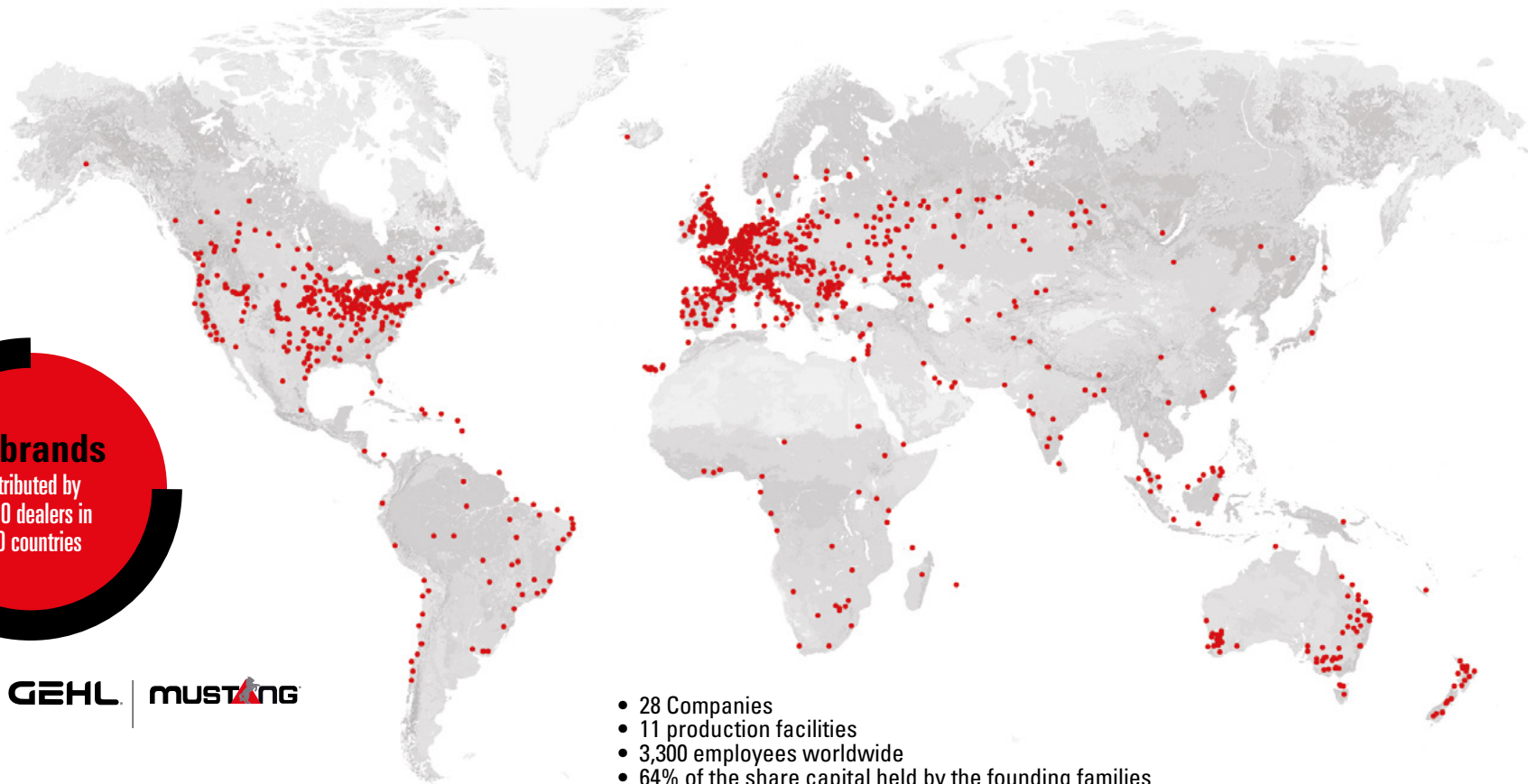
Marcel Braud becomes Chairman of the Supervisory Board.

2006

Manitou passes the 1 billion euros sales milestone.

2007

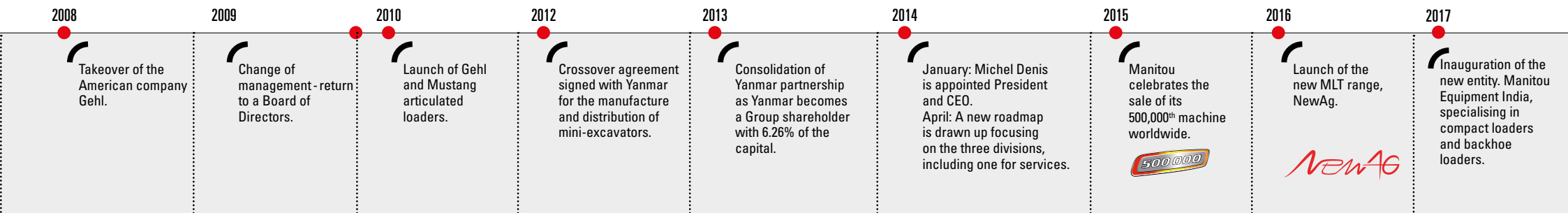
Manitou opens an international logistics centre spanning 22,000 m².



3 brands
distributed by
1,500 dealers in
140 countries



- 28 Companies
- 11 production facilities
- 3,300 employees worldwide
- 64% of the share capital held by the founding families
- 80% of revenue comes from foreign markets
- 1.900billion euros of turnover in 2018







SUMMARY

What is a Manitou MHT?	7
High-performance, versatile machines	10
Complete safety	14
Ergonomics and visibility	17
Simplified maintenance	19
Selection of Manitou attachments	20
The model that's right for you	23
Selection of options	29
Manitou is here to help	30
The REDUCE program	34



What is a Manitou MHT?

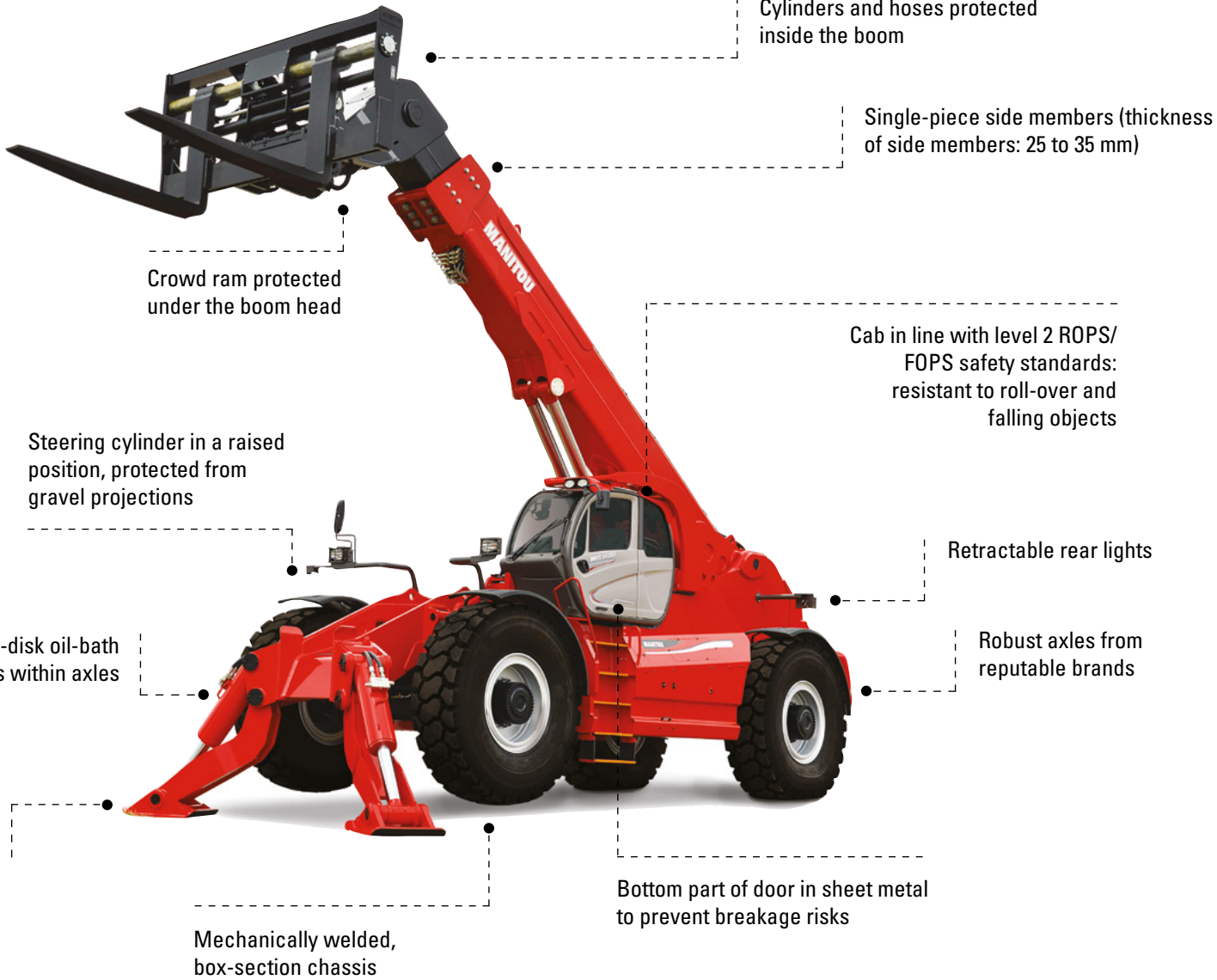
MHT (Manitou Heavy Telescopic) Telehandlers are designed to handle heavy, bulky loads, on all types of terrain, in complete safety.

Combining performance and versatility, your MHT will increase the productivity of all your sites.

7 MODELS

Max. capacity of **9 to 40 t.**

max. height from **7 to 14 t.**





MANITOU

MANITOU

MANITOU



MHT 10130

DU

HIGH-PERFORMANCE, VERSATILE MACHINES

Compact, manageable and with capacity up to 23 tonnes, MHTs bring together a set of technologies that provide you with maximum capacity at all times.

High-performance, environmentally friendly engine

	ENGINE POWER	POLLUTION CONTROL STANDARD	POLLUTION CONTROL SYSTEM
MHT 790	141 CV / 104 KW	Stage 4 (FT4)	EGR + SCR with DEF (type AdBlue)
MHT 1490	176 CV / 129 KW	Stage 4 (FT4)	EGR + SCR with DEF (type AdBlue)
MHT 10130	176 CV / 129 KW	Stage 4 (FT4)	EGR + SCR with DEF (type AdBlue)
MHT 10180	176 CV / 129 KW	Stage 4 (FT4)	EGR + SCR with DEF (type AdBlue)
MHT 10230	176 CV / 129 KW	Stage 4 (FT4)	EGR + SCR with DEF (type AdBlue)
MHT 12330	245 CV / 260 KW	Stage 5	EGR + SCR with DEF+DPF (type AdBlue)

2-speed hydrostatic transmission

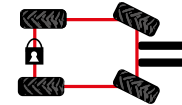
The hydrostatic transmission, combined with a two-speed gearbox, enables you to adapt your movement speed and the tractive effort. It guarantees precise, progressive operation allowing you to put down your loads in complete safety.

The inching function, which comes as standard on all of our MHTs, allows you to speed up the boom's movements as you gradually reduce the telehandler's forward speed.



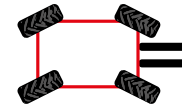


An ultra-manageable machine with 3 steering modes



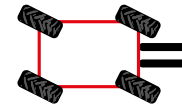
2 WHEEL STEER

to ensure greater safety on the road



4 WHEEL STEER

to manoeuvre around confined sites



CRAB MODE

for tricky sideways approaches

Frame levelling



No more worrying about ground conditions!

Standard on all of our MHTs
(excluding MHT 790), frame
levelling lets you correct
your machine's level
to keep your load horizontal.



A simple and proven coupling system

Save money by investing in multi-functional equipment!

With an entity dedicated to attachments, and approving each machine-attachment pairing, Manitou offers you maximum versatility and profitability by transforming your MHT into a real tool carrier.

With the Manitou hook-up system, which we have used on our telehandler models since 1981, you can easily change attachments in just a few seconds.





COMPLETE SAFETY

All of the machines in the range allow you to work in complete safety whatever your activity.

Drive in complete safety regardless of the difficulty of the terrain!

- semi-offroad profile tyres,
- high ground clearance (41 to 49 cm) for driving on all types of terrain,
- limited slip differential on all MHTs,
- central differential lock on MHT 10180 and MHT 10230, to get you out of all situations,
- 4 wheel drive and oscillating rear axle, guaranteeing optimum grip and stability.





Safe machines

Load moment indicator (LMI) and "E-Reco" attachment recognition system*

As standard or available as an option, depending on the model, the "E-Reco" attachment recognition system detects the attachment at the end of the boom and automatically selects the relevant load chart. The load moment indicator continuously analyses the position of the load in space and the machine's work configuration. The system restricts the manoeuvring zone depending on the attachment and the load being handled. Thanks to these two systems, you can rest assured that there is no risk of overloading your machine or your attachment.

Automatic parking brake

The automatic parking brake, which comes as standard, safeguards your manoeuvres on all kinds of terrain. Your machine will not move unless you ask it to!

Ultra-secure braking

The braking capacity is distributed over the 4 wheels to guarantee maximum effectiveness.

*check availability on the "standard equipment" page.

Driver assistance system

If the machine is used incorrectly, messages appear at the bottom of the screen (e.g. door open; boom angle too large to use frame levelling, etc.). The operator can quickly change what he is doing without wasting time!

Hydraulic movement speed configuration**

Depending on your environment or the work that needs doing, you set the maximum speeds for all of the hydraulic movements (lifting, lowering, boom extension or retraction, etc.). Up to 4 sets of parameters can be saved.

*Only available on MHT 10180 and MHT 10230.

**not available on MHT 790.



ERGONOMICS AND VISIBILITY

The MHT has a comfortable, easy-access driver's cab: wide, non-slip running boards, wide door for easy access, electric window, main controls within easy reach, etc. Your personal belongings, documents, etc. all have their own place in the many large storage compartments provided in the cab.

Simple and ergonomic controls

Manitou works hard to make your work easier!

With the JSM (Joystick Switch and Move) you can operate all standard hydraulic functions with just one hand, meaning you can keep one hand on the steering wheel at all times for maximum safety.

Control the machine remotely, as if you were in the cab!

Thanks to the (optional) remote control, you enjoy excellent visibility of your load. This unit can also be used for operating the machine in platform mode.



- 1 FNR (Front Neutral Reverse) button
- 2 Hydraulic attachment line
- 3 Telescope: retraction and extension
- 4 Buttons + and - : changing gear



- Forward: boom lowers
- Backward: boom lifts
- Left: attachment crowd
- Right: attachment dump



Improved visibility

The low position of the boom's pivot point guarantees 360° visibility. And what's more, the cameras (3 available: front, rear and side), which come as standard or are available as an option, depending on the model, ensure the safety of your site manoeuvres. Information is displayed directly on the in-cab screen.



SIMPLIFIED MAINTENANCE

We have thought of everything for the MHT to make maintenance of your machine easy

In-cab diagnostics

A specially designed screen saves time by notifying the operator of any machine faults or maintenance that is required.



Easy access to the principal engine parts

The engines on our telehandlers are fitted on the right-hand side of the chassis, making it easy to get to the principal engine parts from the ground. It is also possible to open the lower section of the engine cover (without removing it), for more heavy maintenance.

Simple and secure access to the main capacities

The fuel, urea and hydraulic oil tanks are easily accessible and clearly labelled. An anti-vandalism device provides protection from possible theft of fuel or urea.





A complete range of tools adapted to industry and mining

Manitou telehandlers are truly adaptable tool carriers, as the specially designed attachments can easily be added depending on your needs. We have a range of Manitou-approved attachments that are fully compatible with our machines.

A quick and easy coupling system

In order to save you time, the coupling system for Manitou attachments (TS: simple fork carriage with manual or hydraulic locking) is reliable, quick and easy to use. Attach and detach attachments with ease.



Fork carriage - TFF

As standard on all of our MHTs, this attachment allows handling of palletised loads, 20" containers, etc.



Hydraulic floating fork positioner

This positioner is used to vary the distance between the forks from the cab, enabling quick and easy adaptation to pallet dimensions. Lateral movement is available as an option for increased efficiency.



Jib-hook - PC

A simple and effective tool for handling suspended loads, it maintains the nominal capacity of the MHTs.



3-hook jib - P

3 offsets, 3 capacities, for maximum versatility when handling suspended loads.



Hydraulic winch

This winch lets you transform your MHT into a real crane on wheels, increasing its profitability further. Capacities available: 9,000 to 22,000 kg.



Rib handling arm - PSC

This attachment, designed for handling tunnel ribs and other "IPN" profiles, is recommended for many construction applications.



Tyre clamps - TH

These clamps are designed for handling and fitting tyres or wheels to mine vehicles and other vehicles in complete safety.
Capacity: up to 12,000 kg.



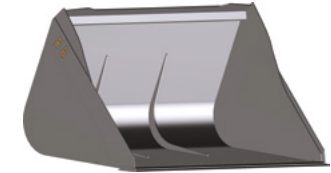
Cylinder clamps - CH

These clamps are designed for handling cylinders and other long, heavy metal objects, for maximum precision and safety.
Capacity: up to 10,000 kg.



Tube clamp - PH

This attachment is designed for handling tubes, both where they are stored and where they are used.
Can be used as a fork carriage for increased versatility.



Environment buckets - CBA-EN

Manitou offers CBA-EN buckets suitable for handling light materials (1,000 kg/m³ max.) and perfect for many applications.



Re-handling bucket - CBR

Bucket designed for materials with density up to 2,000 kg/m³ maximum.



Platform winch

The perfect tool for maintenance of industrial facilities, the platform winch ensures safe elevation of personnel and allows suspended loads to be lifted and handled directly from the platform without returning to the ground.
Capacity on winch up to 450 kg including a maximum of 3 people.



Mining platform

This ultra-strong platform, which is perfect for mining operations and other demanding applications, can withstand impacts of 3,000 kg.
Capacity: 1,200 kg including 3 people.

Bespoke

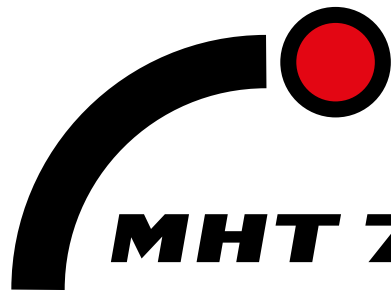
Do you have specific needs or special applications? Thanks to the experience and skills of its special business department, Manitou is able to offer customised attachments and machines that comply with the most detailed specifications. Can we help with anything? Feel free to contact us!

Discover all our attachments on manitou.com





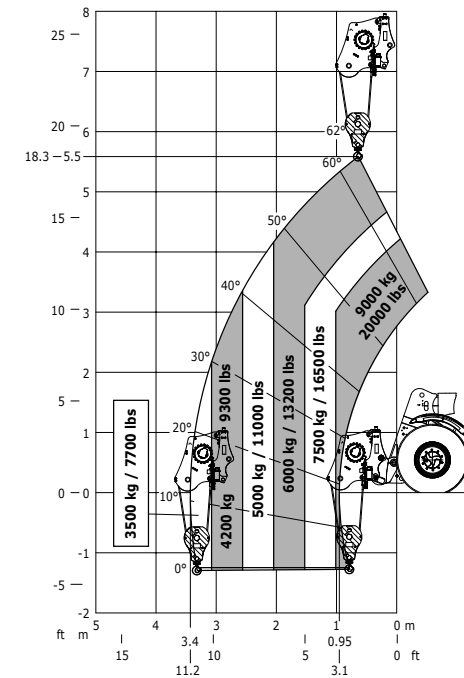
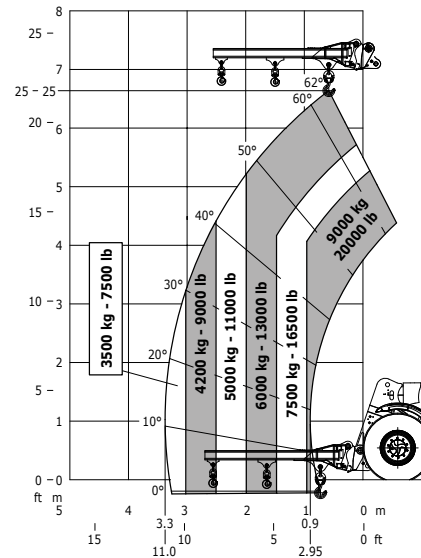
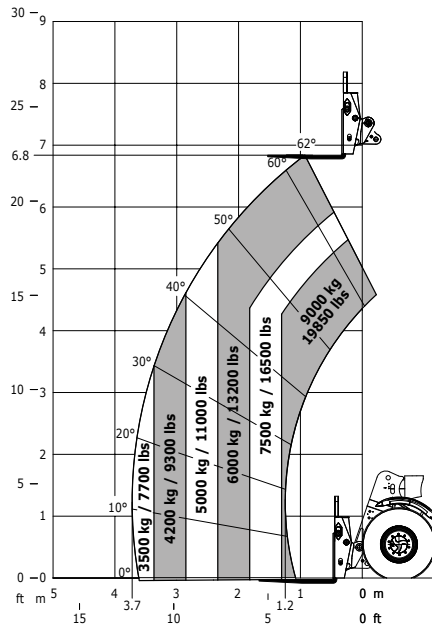
**SELECT
YOUR MODEL**



MHT 790



Transmission	-	Hydrostatic
Engine power	ch - kW	141 / 104
Engine brand	-	John Deere
Max. capacity	kg	9000
Max. lifting height	m	6.84
Max. outreach	m	3.72
Dimensions without attachments (LxWxH)	m	5.27x2.47x2.48
Hydraulics	l/min - bar	180 / 270 Arm
Unladen weight	kg	13160
Max. speed	km/h	30

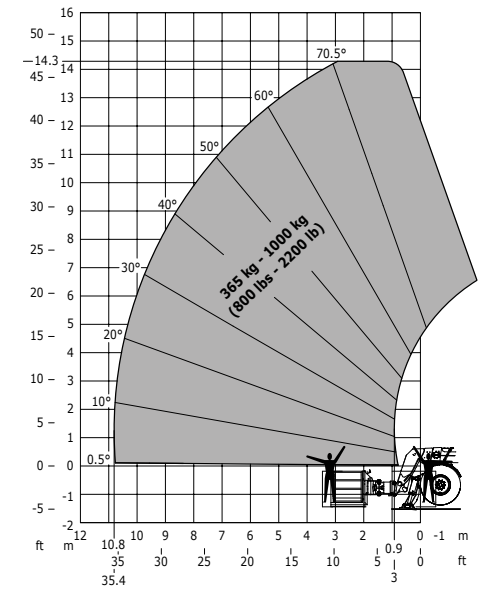
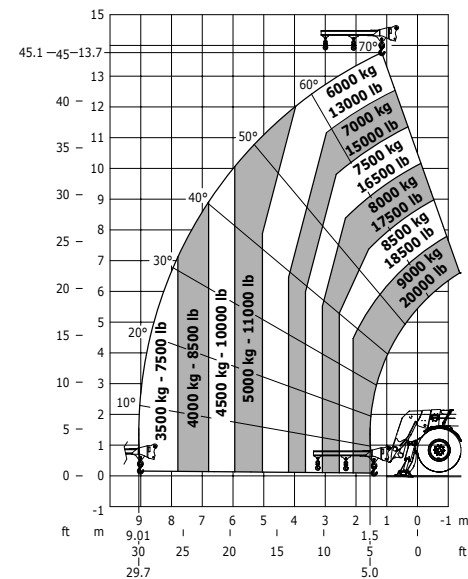
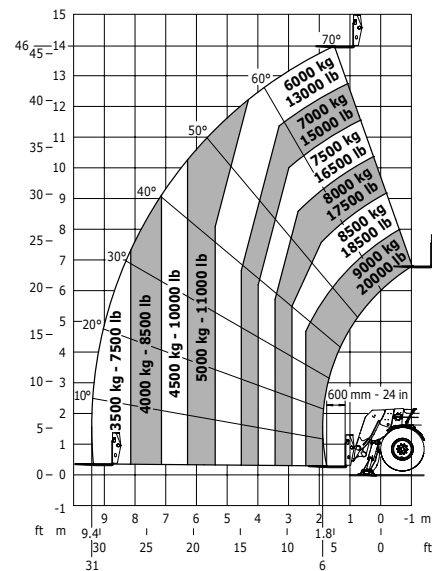
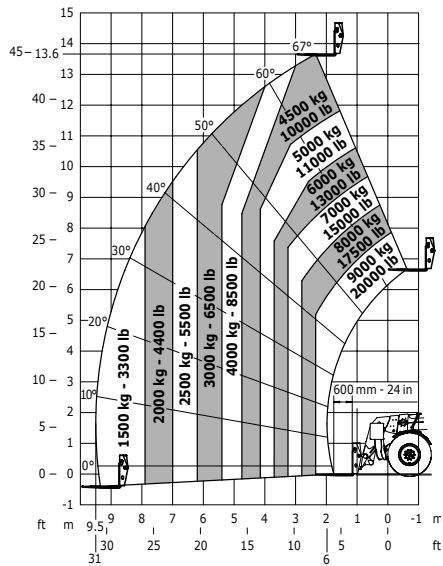




MHT 1490



Transmission	-	Hydrostatic
Engine power	ch - kW	176/129
Engine brand	-	Mercedes
Max. capacity	kg	9000
Max. lifting height	m	13.65
Max. offset	m	9.5
Dimensions without attachments (LxWxH)	m	6.65x2.51x3
Hydraulics	l/min - bar	180 / 300 bars
Unladen weight	kg	20800
Max. speed	km/h	31

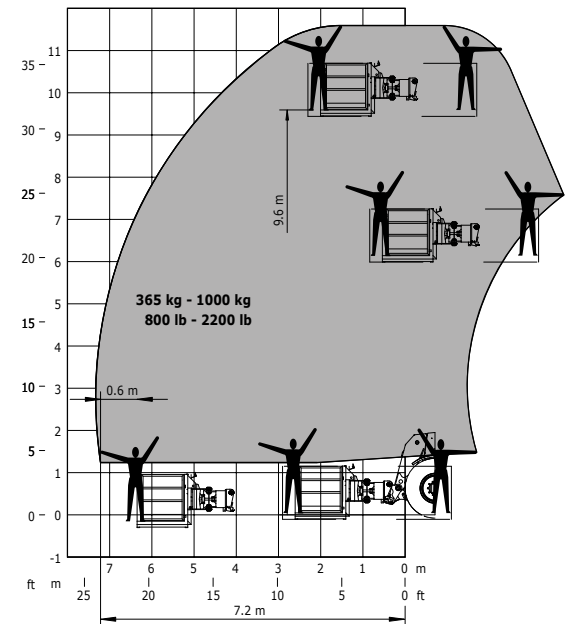
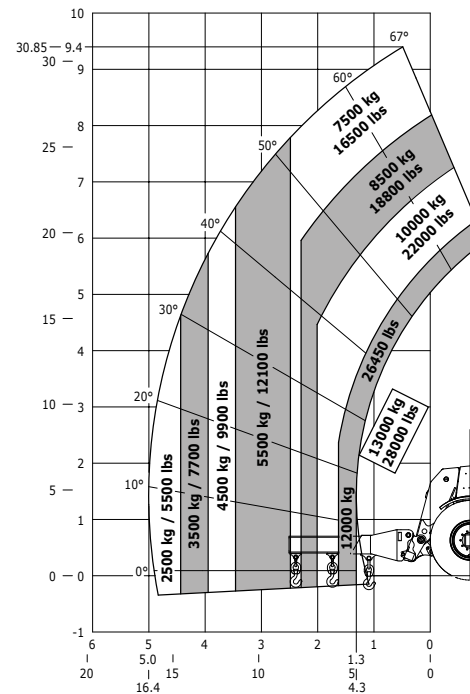
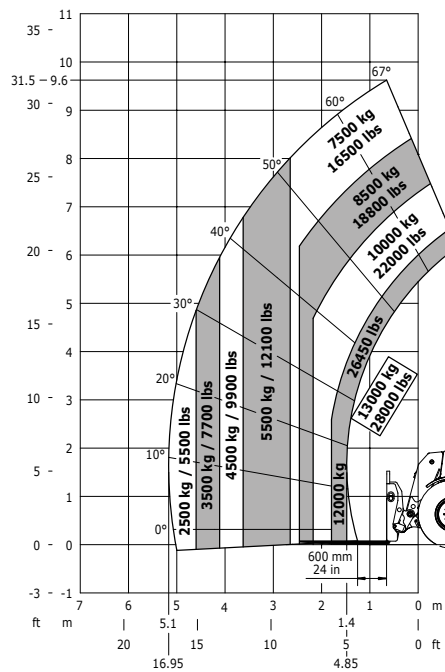




MHT 10130



Transmission	-	Hydrostatic
Engine power	ch - kW	176/129
Engine brand	-	Mercedes
Max. capacity	kg	13000
Max. lifting height	m	9.62
Max. outreach	m	5.17
Dimensions without attachments (LxWxH)	m	6.14x2.51x2.99
Hydraulics	l/min - bar	180 / 300 bars
Unladen weight	kg	18490
Max. speed	km/h	31

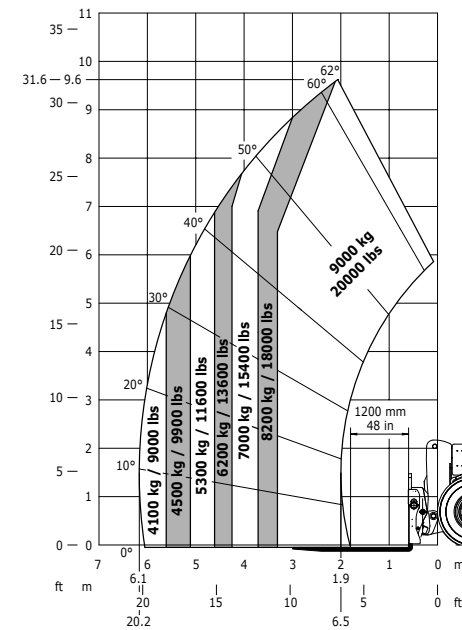
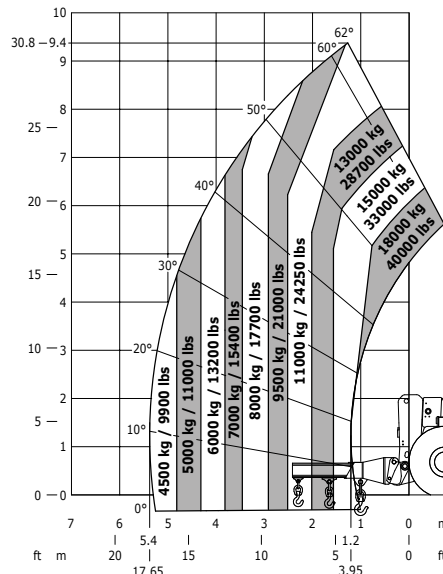
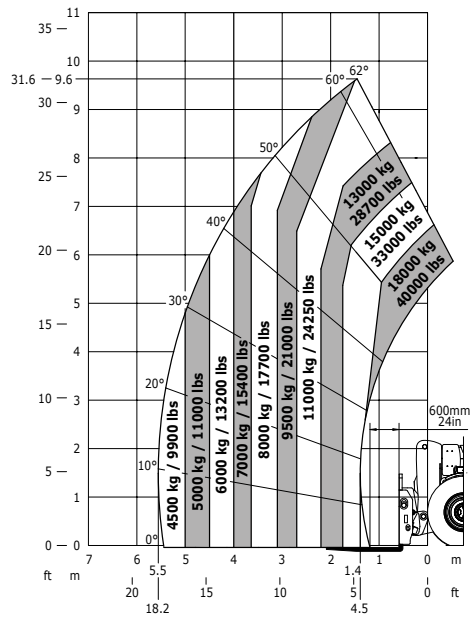




MHT 10180



Transmission	-	Hydrostatic
Engine power	ch - kW	176/129
Engine brand	-	Mercedes
Max. capacity	kg	18000
Max. lifting height	m	9.63
Max. outreach	m	5.56
Dimensions without attachments (LxWxH)	m	6.65x2.52x3
Hydraulics	l/min - bar	205 / 350 bars
Unladen weight	kg	24000
Max. speed	km/h	25

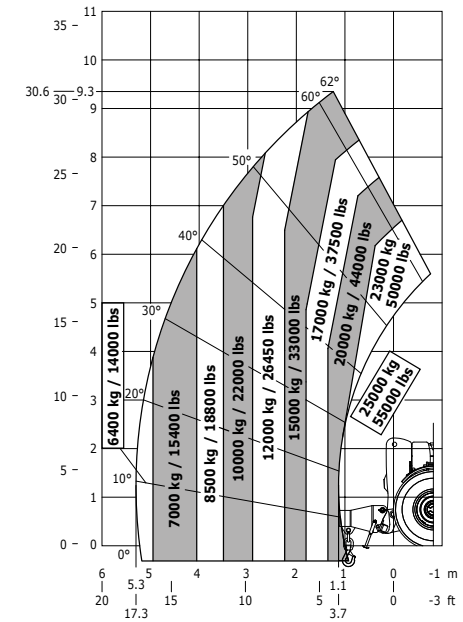
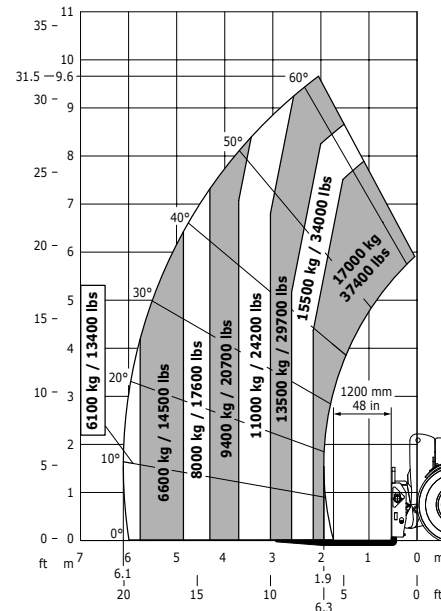
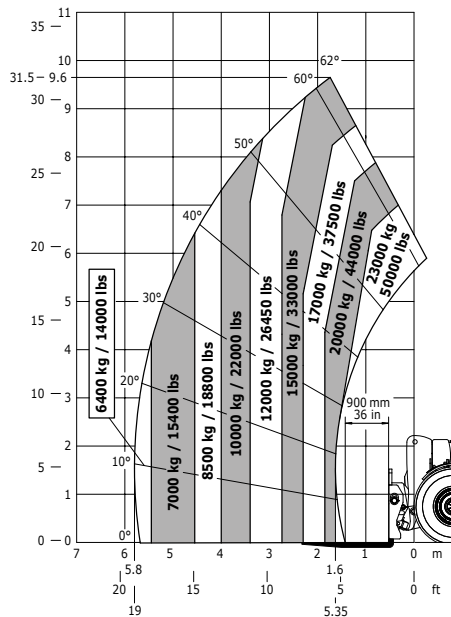




MHT 10230



Transmission	-	Hydrostatic
Engine power	ch - kW	176/129
Engine brand	-	Mercedes
Max. capacity	kg	23000
Max. lifting height	m	9.63
Max. outreach	m	5.8
Dimensions without attachments (LxWxH)	m	6.99x2.85x3.05
Hydraulics	l/min - bar	205 / 350 Bars
Unladen weight	kg	29300
Max. speed	km/h	25

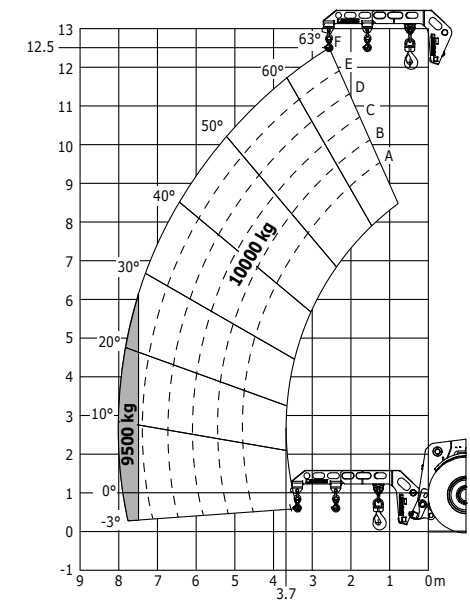
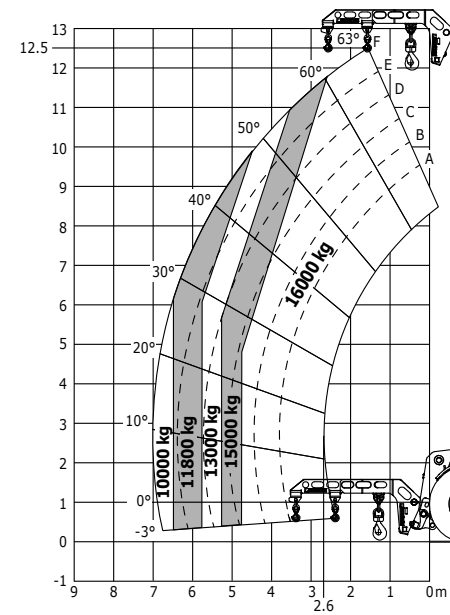
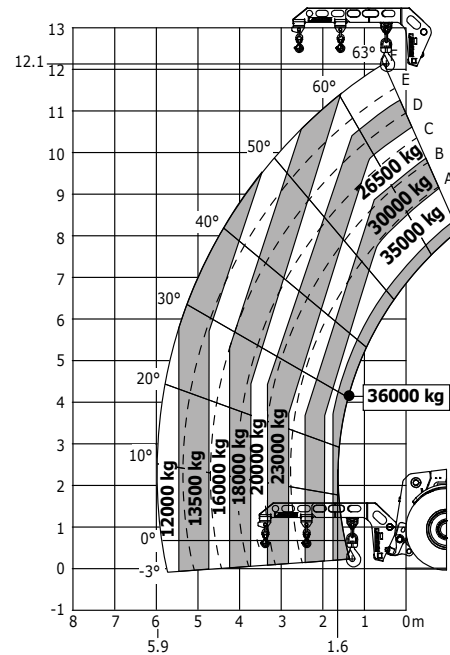
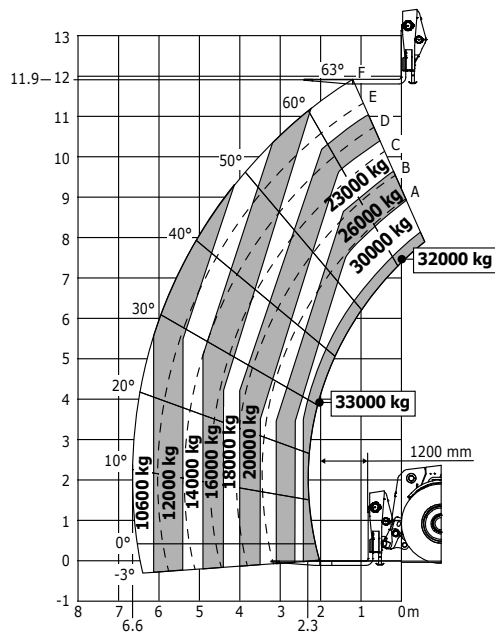




MHT 12330



Transmission	-	Hydrostatic
Engine power	ch - kW	245/180
Engine brand	-	Mercedes
Max. capacity	kg	33000
Max. lifting height	m	11.90
Max. outreach	m	6.70
Dimensions without attachments (LxWxH)	m	8.45x2.99x3.60
Hydraulics	l/min - bar	210/ 350 Bars
Unladen weight	kg	48400
Max. speed	km/h	25



STANDARD EQUIPMENT

	MHT 790	MHT 1490	MHT 10130	MHT 10180	MHT 10230	MHT 12330
DRIVER'S CAB						
CLOSED CABIN WITH HEATING	S	S	S	S	S	S
WIPERS FRONT AND REAR	S	S	S	S	S	S
ROOF WINDSCREEN WIPER	O	S	S	S	S	S
ELECTRIC WINDOW	S	S	S	S	S	S
MECHANICAL CLOTH SEAT	S	S	S	S	S	S
ADJUSTABLE STEERING COLUMN	S	S	S	S	S	S
JSM (JOYSTICK SWITCH AND MOVE)	S	S	S	S	S	S
7" SCREEN	S	S	S	-	-	--
9" SCREEN	-	-	-	S	S	S
NAVIGATOR	-	-	-	S	S	S
CIGAR LIGHTER (12 V) SOCKET	S	S	S	S	S	S
INCHING	S	S	S	S	S	S
SAFETY						
LOAD MOMENT INDICATOR (LMI)	O	O	O	S	S	S
AGGRAVATING MOVEMENTS CUT-OFF - STANDARD EN 15000	S	S	S	O	O	--
ATTACHMENT RECOGNITION SYSTEM	O	O	O	S	S	S
HYDRAULIC MOVEMENT SPEED CONFIGURATION	-	S	S	S	S	S
SIGNALLING						
COMPLETE ROAD LIGHTING	S	S	S	S	S	S
ROTATING BEACON LIGHT	S	S	S	S	S	S
REVERSING WARNING BUZZER	S	S	S	S	S	S
INTERNAL REAR-VIEW MIRROR	O	S	S	S	S	S
EXTERNAL REAR-VIEW MIRRORS LEFT AND RIGHT	S	S	S	S	S	S
ENGINE						
BATTERY ISOLATOR SWITCH	S	S	S	S	S	S
BOOM						
HYDRAULIC LINE FOR QUICK-RELEASE ATTACHMENTS (1 FUNCTION)	S	S	S	S	S	S
OTHER ELEMENTS						
ATTACHMENT BAR Ø 30 MM	S	S	--	--	--	--
ATTACHMENT BAR Ø 45 MM	-	--	S	S	S	--
HYDRAULIC LOCKING OF ATTACHMENT	O	O	O	O	O	S

s: series / o: option / -: not available



MANITOU IS HERE TO HELP

To enable you to benefit from an operational forklift all year long, Manitou offers a wide range of products and services that are suited to all your needs.



Expertise and service on a daily basis

Your Manitou dealer guarantees a complete range of services at all stages of your machine's life and is there to provide support and meet your needs, always looking to provide you with the best solution.

1,400 dealers at your service

The Manitou network operates in more than 120 countries. In total, we employ more than 2,000 expert technicians, specially trained in Manitou technology, who are at your service to assist with everything from purchasing to after-sales.



- **Dealership network**
 A network of experts at your service, whatever your field (agriculture, construction, industry).
- **Maintenance contracts**
 We offer three levels of contract to meet with your needs: Initial, Advanced and Excellence. Rest easy and leave the maintenance to your official Manitou dealer.
- **Financing**
 To hire or to purchase? Whatever your business, simplify your investment with Manitou Finance financing or leasing solutions.
- **Warranty extension**
 With Maniplus, you can extend the cover of your Manitou warranty for up to 5 years. Use your equipment with peace of mind.
- **The connected solution**
 Easy Manager is a simple and flexible tool for managing, optimizing and securing the operational monitoring of your machines.
- **Second-hand equipment**
 In the market for second-hand equipment? The Manitou network is here to help. Just visit your dealer or used.manitou.com, our reference site for second-hand Manitou machines.
- **Original spare parts**
 With more than 70,000 products available, your Manitou dealer provides expertise and service on a daily basis!

REDUCE

The Manitou Group's vision

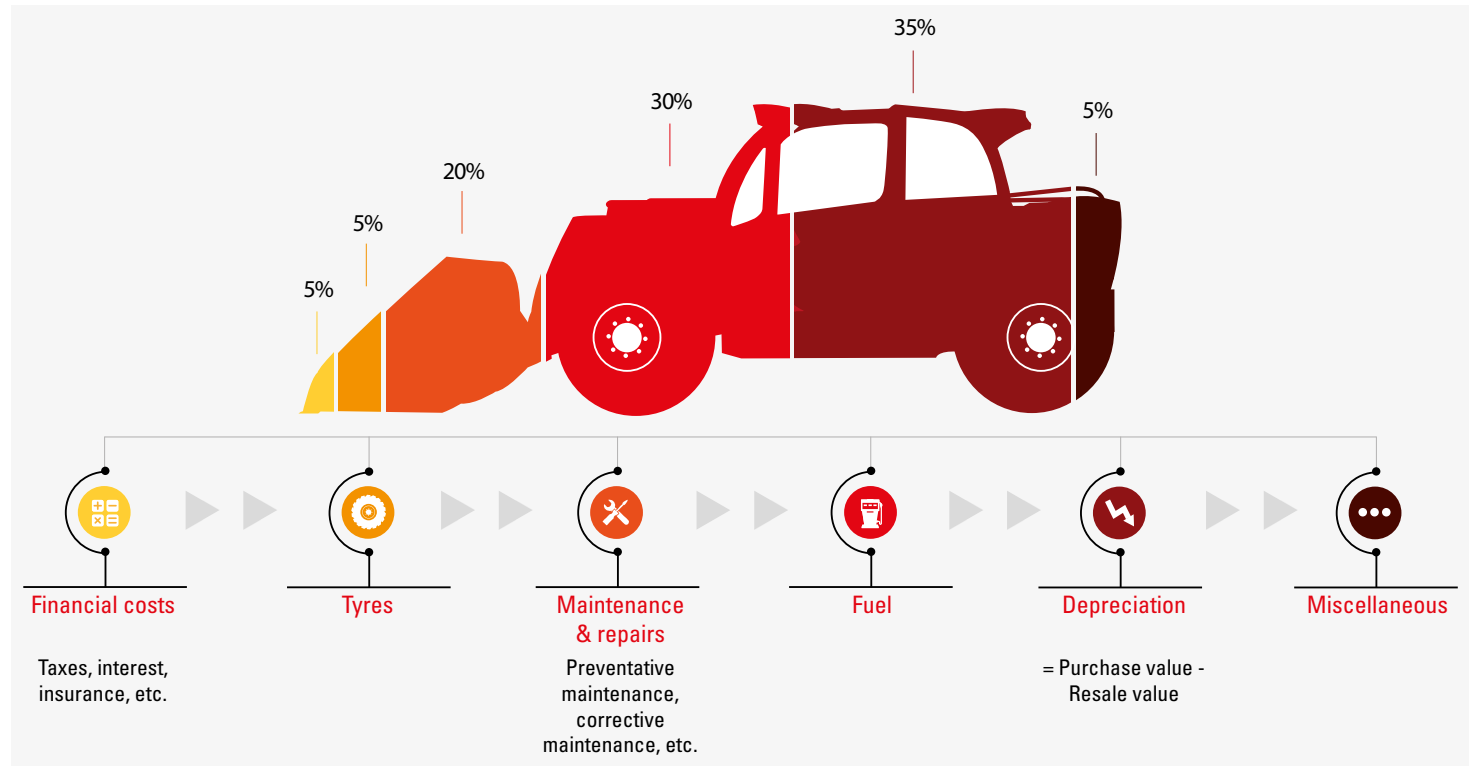
The REDUCE approach aims to improve the work conditions for machine operators in keeping with better productivity and environmental protection. This means transparency regarding fuel consumption data, reducing emissions, raising awareness of total cost of ownership (TCO), and putting a greater emphasis on the health and safety of operators.

Do you know the real cost of ownership of your equipment?

REDUCE TCO (Total Cost of Ownership) gives you detailed information about the breakdown of cost items for your machine and helps you to optimise the profitability of your production tool.



Calculate your TCO at tco.manitou.com



What does TCO stand for?

The TCO is the total cost of ownership of an asset, more commonly known as the user cost. This indicator takes into consideration fixed costs (such as acquisition, interest, rent and residual value) and also variable costs linked to the use of your machine (such as maintenance and operator training).



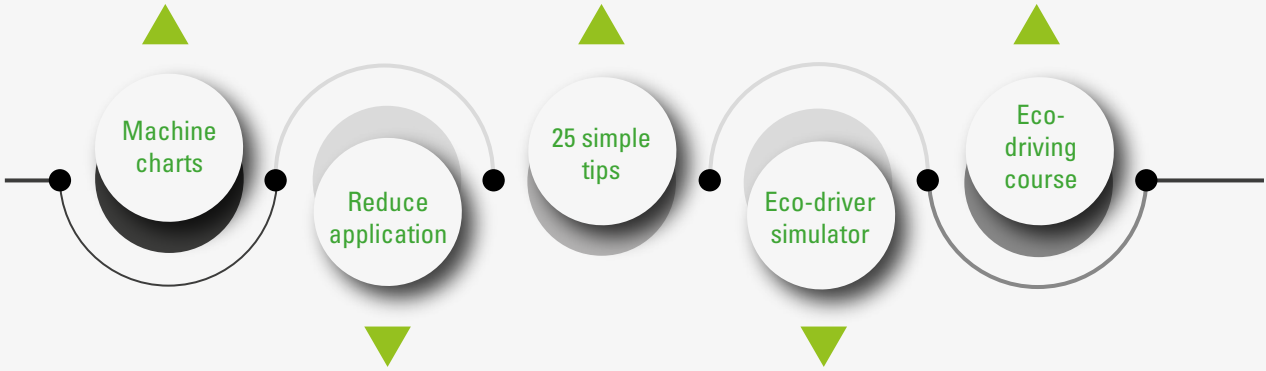
Do you know how much your machine consumes?

Unlike the automobile sector, the handling machine sector does not yet have a standard rating system. We have therefore created a clear internal protocol enabling us to compare our machines' fuel consumption measurements. In order to provide you with clear, reliable and transparent information, this data has been verified by a recognised organisation.

We indicate the fuel consumption of our machines for the two principal activities for which the machine was designed, as well as the associated CO² emissions.

Our recommendations for use will guide you in reducing your fuel consumption and your carbon footprint.

We train our network and the operators of our equipment to reduce their fuel consumption with an eco-driving module.



Discover our online calculator, which enables you to personalise your cycle and estimate your consumption, CO² emissions and savings.

To raise awareness of fuel costs and CO² emissions, Manitou Group has created an eco-driving simulator.

REDUCE Fuel Eco-Program responsibly informs you on the fuel consumption and CO₂ emissions of our de MLT and MT machines, as well as our platforms.



Calculate your fuel consumption at reduce.manitou.com

Your Manitou dealer:



 **MANITOU**
HANDLING YOUR WORLD

Head office

B.P. 249 - 430 rue de l'Aubinière - 44158 Ancenis Cedex - France

Tel.: 00 33 (0)2 40 09 10 11 - Fax: 00 33 (0)2 40 09 10 97



This publication provides the description of the versions and configuration possibilities of Manitou products, which may differ in terms of equipment. The equipment presented in this brochure may be available as part of a series, available as an option, or not available, depending on the versions. Manitou reserves the right, at any time and without notice, to amend the specifications described and represented. The specifications provided do not bind the manufacturer. For more details, please contact your Manitou agent. This is not a contractually binding document. The presentation of the products is not contractually binding. The list of specifications is non-exhaustive. The logos and visual identity of the company are the property of Manitou and cannot be used without authorisation. All rights are reserved. The photos and diagrams in this brochure are only provided for consultation and information purposes. Manitou BF SA - Limited company with board of directors - Share capital: 39,547,824 euros - 857 802 508 RCS Nantes