

Technical sheet :

MLT 741-130 PS+



Capacities		Metric	Imperial
Max. capacity	Q	4100 kg	9039 lb
Max. lifting height	h3	6.90 m	22 ft 8 in
Max. outreach		3.90 m	12 ft 10 in
Reach at max. height		1 m	3 ft 3 in
Breakout force with bucket		6116 daN	6116 daN
Weight and dimensions			
Unladen weight (with forks)		7965 kg	17560 lb
Ground clearance	m4	0.41 m	1 ft 4 in
Wheelbase	y	2.81 m	9 ft 3 in
Overall length to carriage (with hitch)	l11	4.97 m	16 ft 4 in
Overall length to carriage (without hitch)	l3	4.82 m	15 ft 10 in
Front overhang		1.21 m	4 ft
Overall width	b1	2.39 m	7 ft 10 in
Overall cab width	b4	0.95 m	3 ft 1 in
Overall height	h17	2.38 m	7 ft 10 in
Tilt-down angle	a5	134 °	134 °
Tilt-up angle	a4	12 °	12 °
External turning radius (over tyres)	Wa1	3.93 m	12 ft 11 in
Standard tires		Alliance - A580 - 460/70 R24 159A8	Alliance - A580 - 460/70 R24 159A8
Drive wheels (front / rear)		2 / 2	2 / 2
Steering wheels (front / rear)		2 / 2	2 / 2
Performances			
Lifting		7 s	7 s
Lowering		6 s	6 s
Extension		6.30 s	6.30 s
Retraction		5.60 s	5.60 s
Crowd		3.20 s	3.20 s
Dump		2.80 s	2.80 s
Engine			
Engine brand		Deutz	Deutz
Engine nom		Stage V / Tier 4 Final	Stage V / Tier 4 Final
Engine model		TCD 3.6 L4	TCD 3.6 L4
Number of cylinders - Capacity of cylinders		4 - 3621 cm³	4 - 221 in³
I.C. Engine power rating / Power		129 Hp / 95 kW	129 Hp / 95 kW
Max. torque / Engine rotation		500 Nm @1600 rpm	369 ft/lbs @1600 rpm
Drawbar pull (Laden)		7800 daN	7800 daN
Reversible fan		Standard	Standard
Engine cooling system		4 radiators (water + intercooler + hydraulic oil + transmission oil)	4 radiators (water + intercooler + hydraulic oil + transmission oil)
HVO validated (according to EN 15940 standard)		Yes	Yes
Transmission			
Transmission type		Torque converter	Torque converter
Gearbox		Powershift	Powershift
Number of gears (forward / reverse)		6 / 3	6 / 3
Max. travel speed (may vary according to applicable regulations)		40 km/h	25 mph
Differential lock		Limited slip differential on front axle	Limited slip differential on front axle
Parking brake		Automatic negative parking brake	Automatic negative parking brake
Service brake		Oil-immersed multi-discs braking on front & rear axles	Oil-immersed multi-discs braking on front & rear axles
Hydraulics			
Hydraulic pump type		Variable displacement pump	Variable displacement pump
Hydraulic flow - Pressure		150 l/min - 270 bar	40 US gpm - 3916 PSI
Flow sharing distributor		Standard	Standard
Tank capacities			
Hydraulic oil		135 l	36 US gal
Fuel tank		120 l	32 US gal
Diesel Exhaust fluid (AdBlue® type)		10 l	3 US gal
Noise and vibration			
Noise at driving position (LpA) tested following NF EN 12053 nom		72 dB	72 dB
Noise to environment (LwA)		105 dB	105 dB
Vibration to whole hand/arm		< 2.50 m/s²	< 2.50 m/s²
Miscellaneous			
Tractor homologation		Tractor homologation	Tractor homologation
Safety cab homologation		ROPS - FOPS level 2 cab	ROPS - FOPS level 2 cab
Controls		JSM	JSM

Optional tires tab

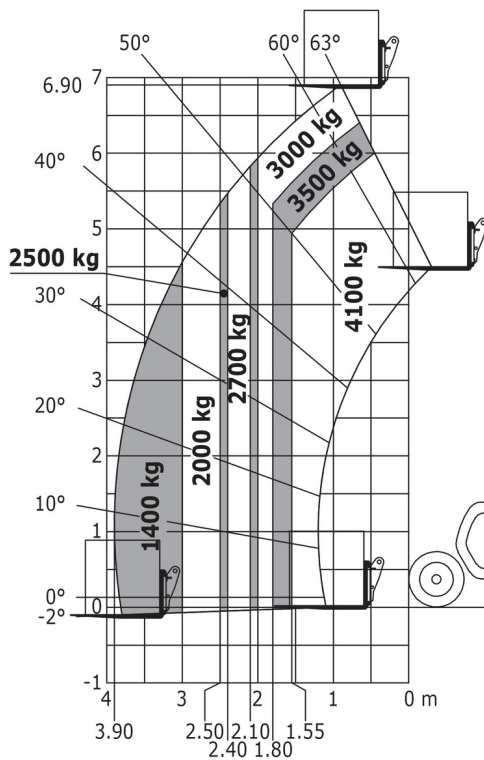
Optional tires	Overall height	Overall width
FIRESTONE - R8000 UT - 460/70 R24 159A8	7 ft 10 in (2.39 m)	7 ft 11 in (2.42 m)
VREDESTEIN - ENDURION - 460/70 R24 159A8	7 ft 10 in (2.38 m)	7 ft 11 in (2.41 m)
VREDESTEIN - ENDURION - 500/70 R24 164A8	7 ft 11 in (2.41 m)	8 ft (2.44 m)
MICHELIN - BIBLOAD - 460/70 R24 159A8	7 ft 9 in (2.37 m)	7 ft 10 in (2.40 m)
MICHELIN - BIBLOAD - 500/70 R24 164A8	7 ft 10 in (2.39 m)	8 ft (2.43 m)
MICHELIN - XHA - 15.5 R25 158A2	7 ft 9 in (2.37 m)	7 ft 10 in (2.40 m)
MICHELIN - XMCL - 460/70 R24 159A8	7 ft 9 in (2.37 m)	7 ft 10 in (2.40 m)
MICHELIN - XMCL - 500/70 R24 164A8	7 ft 10 in (2.39 m)	8 ft (2.43 m)
NOKIAN - TRI STEEL - 460/65 R24 156A8	7 ft 9 in (2.36 m)	7 ft 10 in (2.40 m)
TRELLEBORG - TH400 - 460/70 R24 159A8	7 ft 9 in (2.37 m)	7 ft 10 in (2.40 m)
TRELLEBORG - TH400 - 500/70 R24 164A8	7 ft 10 in (2.39 m)	7 ft 11 in (2.42 m)
ALLIANCE - A585 - 460/70 R24 159A8	7 ft 9 in (2.37 m)	7 ft 10 in (2.40 m)

MLT 741-130 PS+ - Dimensional drawing

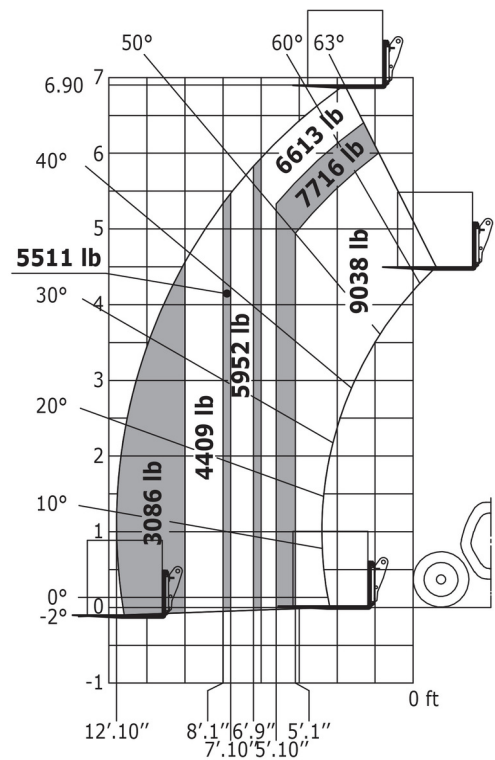


MLT 741-130 PS+ - Load chart

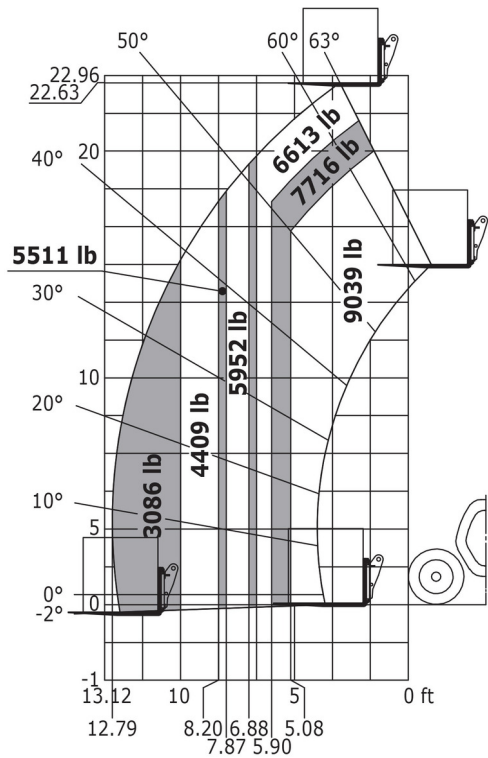
Rough terrain load chart (EN 1459 B) Metric



Rough terrain load chart (EN 1459 B) Imperial



Machine on tyres with forks Imperial





Head Office

B.P. 249 - 430 rue de l'Aubinière

44150 Ancenis Cedex - France

Tel: +33 (0)2 40 09 10 11 - Fax: +33 (0)2 40 09 10 97

www.manitou.com



This publication provides a description of the configuration versions and options for Manitou products, which may differ for equipment. The equipment presented in this brochure may be part of a series, as an option, or it may not be available, depending on the versions. Manitou reserves the right, at any time and without notice, to amend the specifications described and represented. The specifications provided do not bind the manufacturer. For more details, please contact your Manitou agent. This is not a contractually binding document. The presentation of the products is not contractually binding. List of specifications non-exhaustive. The logos as well as the visual identity of the company are owned by Manitou and cannot be used without authorisation. All rights reserved. The photos and diagrams contained in this brochure are only provided for consultation and information purposes.

MANITOU BF SA - Limited company with board of directors - Share capital: 39,668,399 euros - 857 802 508 RCS Nantes